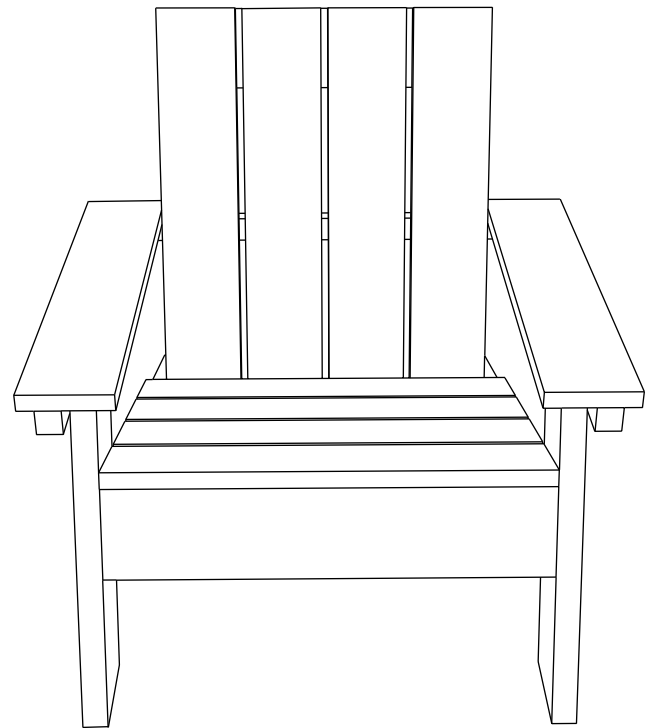
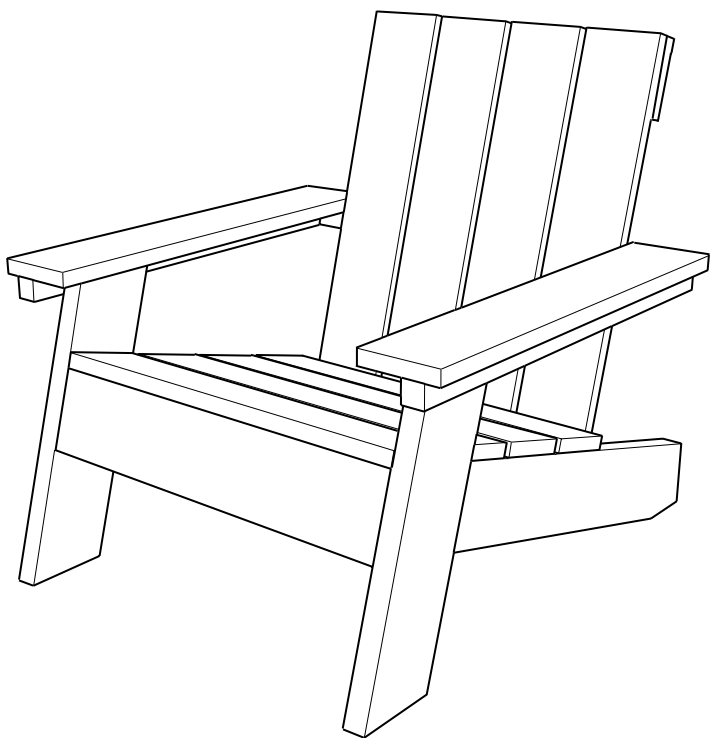


ADIRONDACK CHAIR

DESIGN: REAL CEDAR ORIGINAL



This super simple design puts a modern spin on the classic lawn chair. Boasting clean, bold lines, these oversized seats are stylish enough to work in a contemporary indoor environment as well as a traditional outdoor living space. That's because they're made with inherently beautiful Western Red Cedar, nature's most versatile building material. Since WRC is also naturally resistant to rot, decay and insects, you can let these chairs weather naturally to a beautiful silvery patina or you can paint them a bright, sunny color to match your décor.

In terms of WRC grades, choose Architect Knotty for a more rustic look and Architect Clear for a polished contemporary look. And when it comes to specifying sizes, we recommend asking your local Real Cedar retailer if they have any short lengths in stock. Using short lengths means less cutting, less waste and more savings for you.

For more fast facts on building with Real Cedar, download our free DIY app - available on the Apple App Store for iOS and at Google Play for Android.

WHAT YOU'LL NEED

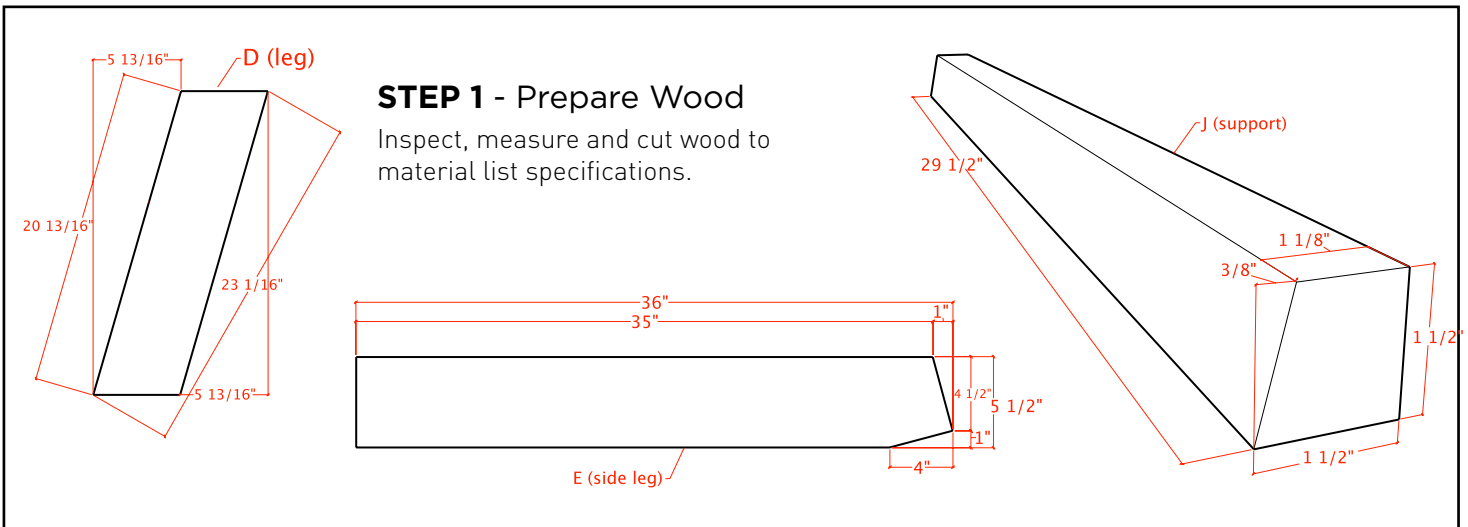
PART #	DESCRIPTION	FINISHED SIZE			NOMINAL SIZES	MATERIAL	QTY
		T	W	L			
Deck							
A	seat back	1"	5 1/2"	33"	5/4x6x3	WRC SP4	4
B	seat	1"	5 1/2"	26 1/2"	5/4x6x3	WRC SP4	4
C	arm rest	1"	5 1/2"	29 1/2"	5/4x6x3	WRC SP4	2
D	legs	1 1/2"	5 1/2"	23 1/16"	2x6x2	WRC SP4	2
E	side legs	1 1/2"	5 1/2"	36"	2x6x3	WRC SP4	2
F	front	1 1/2"	5 1/2"	26 1/2"	2x2x3	WRC SP4	1
G	arm brace	1 1/2"	1 1/2"	29 1/2"	2x6x2	WRC SP4	2
H	support	1 1/2"	5 1/2"	23 1/2"	2x6x2	WRC SP4	1
I	support	1 1/2"	1 1/2"	22 1/4"	2x2x2	WRC SP4	2
J	support	1 1/2"	1 1/2"	29 1/2"	2x6x3	WRC SP4	1
K	support	1 1/2"	5 1/2"	23 1/2"	5/4x6x2	WRC SP4	1
Hardware							
L	screws	—	—	1 3/4"	—	stainless steel screws	50
M	screws	—	—	2 1/2"	—	stainless steel screws	50

FASTNER PRO TIP:

1 Where gluing is required, only apply a polyurethane construction adhesive specially formulated for outdoor applications. Using a scrap of wood, spread a thin even layer of glue like butter on toast. Avoid applying excessive amounts and keep glue at least 1/2" away from exterior edges of joint to avoid unappealing bleed out. Press pieces in place briefly, then pull them apart for a second before pressing firmly back in place (this helps activate the glue so it will set faster). Always use clamps to keep pieces in position while driving in screws because until the glue dries, pieces are at risk of slipping.

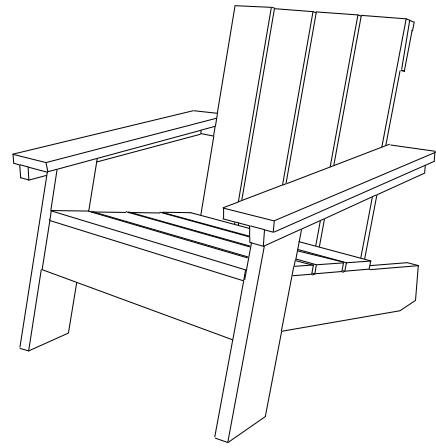
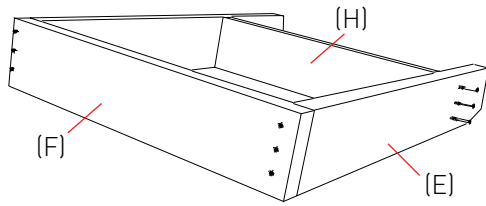
FASTNER PRO TIP:

2 If you plan on keeping your Real Cedar chair(s) outdoors for long periods of time, you should use corrosion-resistant fasteners such as hot-dipped galvanized or stainless steel screws.



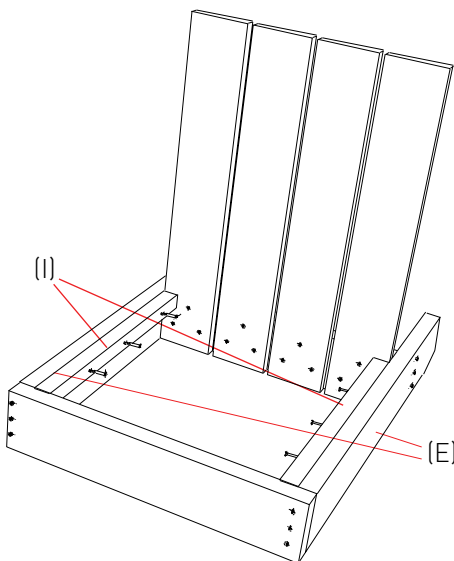
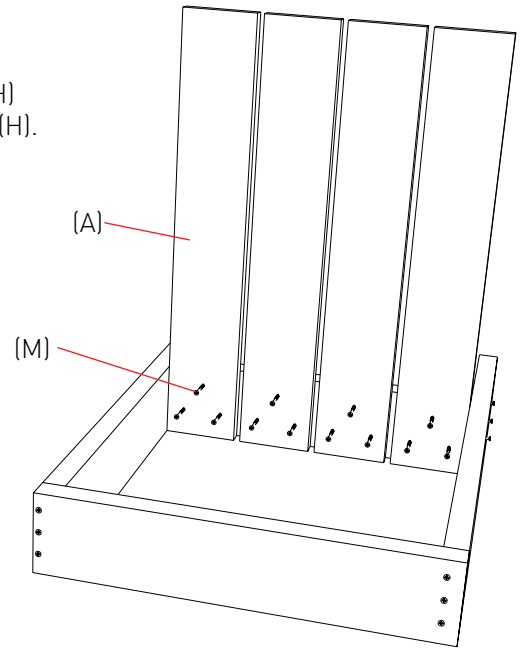
STEP 2 Build Frame

Using glue and (M) stainless steel screws, attach two (E) side legs to the (F) front piece and then complete with (H) back piece.



STEP 3 - Set Up Backrest

Using glue and (M) stainless steel screws, fasten four (A) pieces to (H) frame. The bottom of each (A) should be plumb with bottom edge of (H).

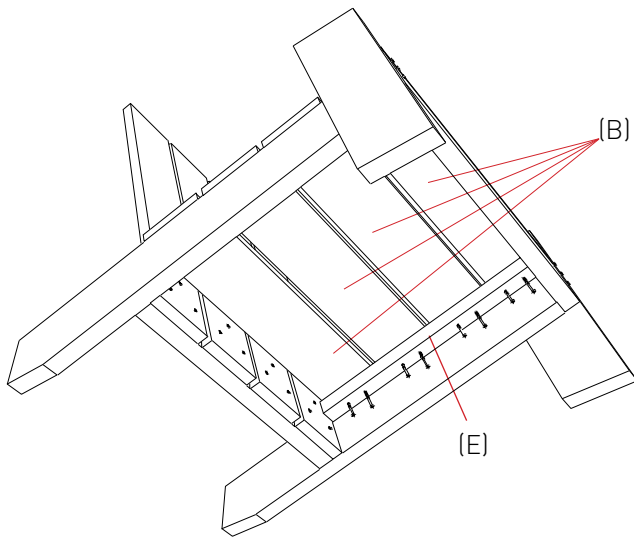
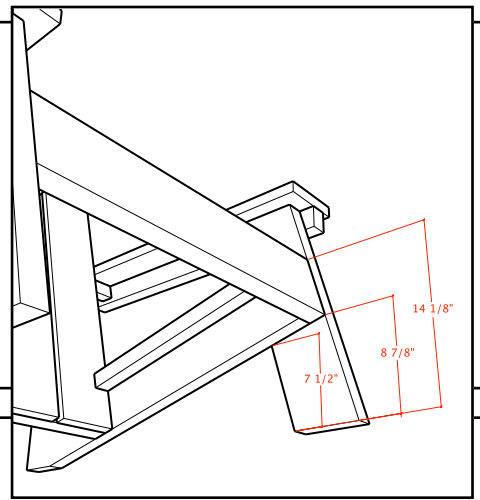


STEP 4 - Add Seating Support

Attach one (I) support to the inside of each (E) side legs, using glue and (M) stainless steel screws.

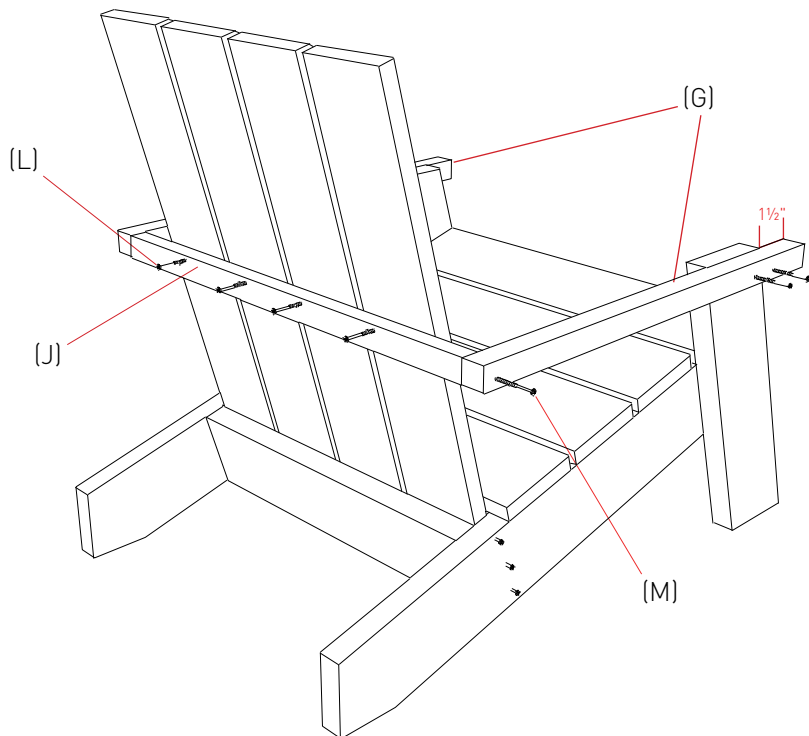
STEP 5 - Attach Legs

Hold (D) leg to outside front corner of each (E) frame, glue in place and fasten from inner side of (E), so that (M) screws aren't visible on exposed wood.



STEP 6 - Put In Seating

Starting [1/2"] from backrest, install one (B) seating at a time, leaving [1/4"] gap between each piece. Attach to (E) frames with glue and (M) screws up through (I) supports

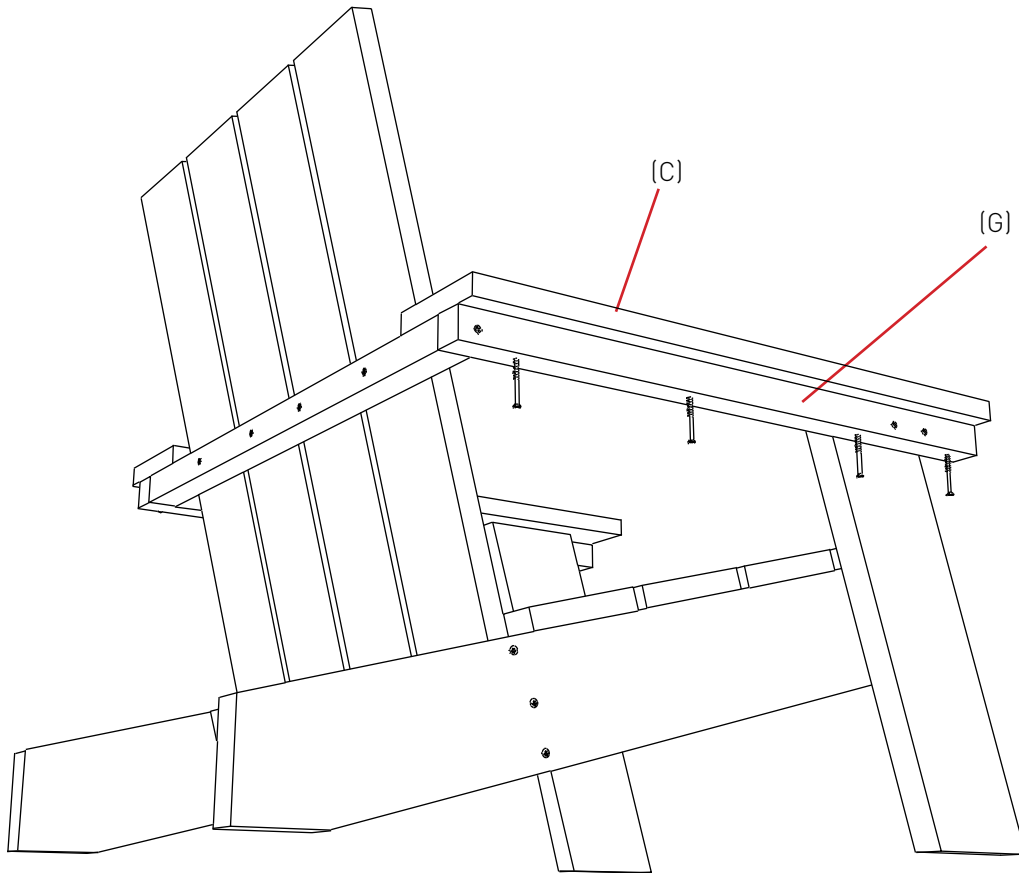


STEP 7 - Position Armrest Brace

Position (G) arm brace to each (E) side leg so that the piece extends past leg by 1 1/2" and fasten using glue and (M) stainless steel screws. Then connect both (G) braces to the (J) back support, using (M) screws and further secure the back support by fastening it to the backrest with (L) stainless steel screws.

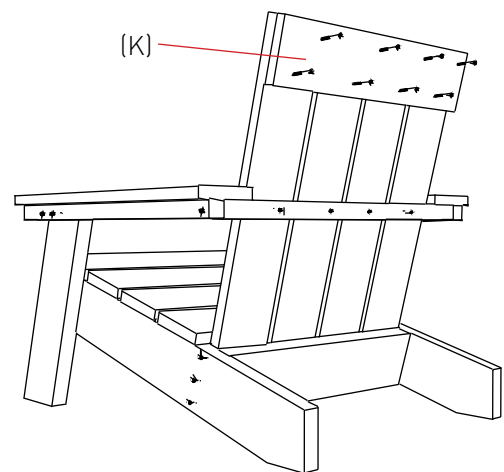
**STEP 8 -
Place Armrest**

Attach (C) armrests to (G) arm braces using glue and (L) stainless steel screws.



**STEP 9 -
Install Backrest**

Install (K) back support using (L) stainless steel screws.



NOTE: Real Cedar is not responsible for any personal injury or property damage sustained in connection to these guidelines.